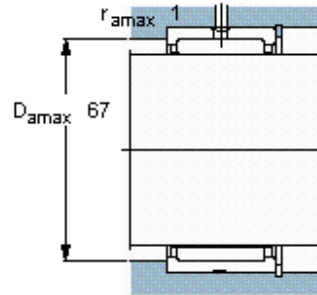
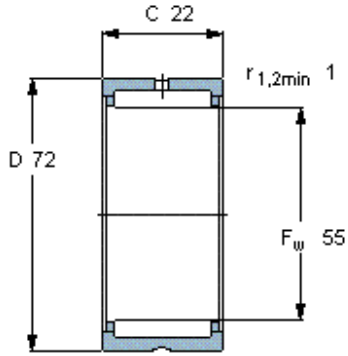


Needle roller bearings, with machined rings, with flanges, without an inner ring

Principal dimensions			Basic load ratings		Speed ratings	Limiting speed	Designation
F <sub>w</sub>	D	C	dynamic C	static C <sub>0</sub>	Reference speed		
mm			kN		r/min		-
<b>55</b>	72	22	44,6	78	7000	8000	<b>NKS 55</b>



**Appropriate seals**

G seal	-
SD seal	-
CR seal	55x72x8 HMS5 RG